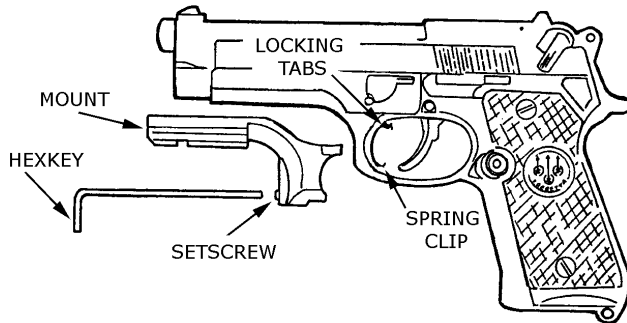
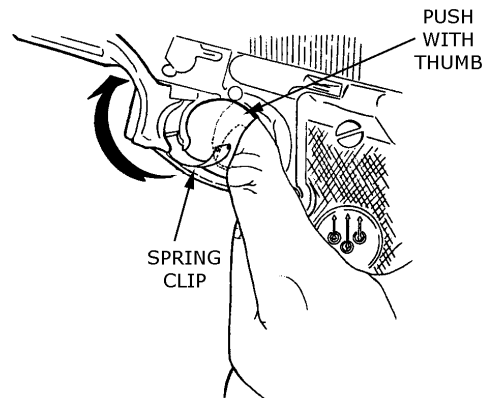


## INSTALLATION INSTRUCTIONS FOR BERETTA PISTOL ADAPTER (PA-110)

**Figure 1**  
Components



**Figure 2**  
Spring Clip  
Installation



**WARNING: Verify that the weapon is clear and safe before proceeding.**

1. Verify that all of the components in **Figure 1** of the Adapter Assembly are present.
2. Loosen the setscrew so that it will not be touching the trigger guard when the mount is secured to the frame.
3. Push mount onto frame, and ensure that it is tight to trigger guard.
4. Insert spring clip (with locking tabs up) between mount and trigger guard, slide up into place with your thumb as shown in **Figure 2**.
5. Tighten setscrew with hexkey until mount is fully secured to the frame.